



# DIRECT CURRENT ARRESTOR

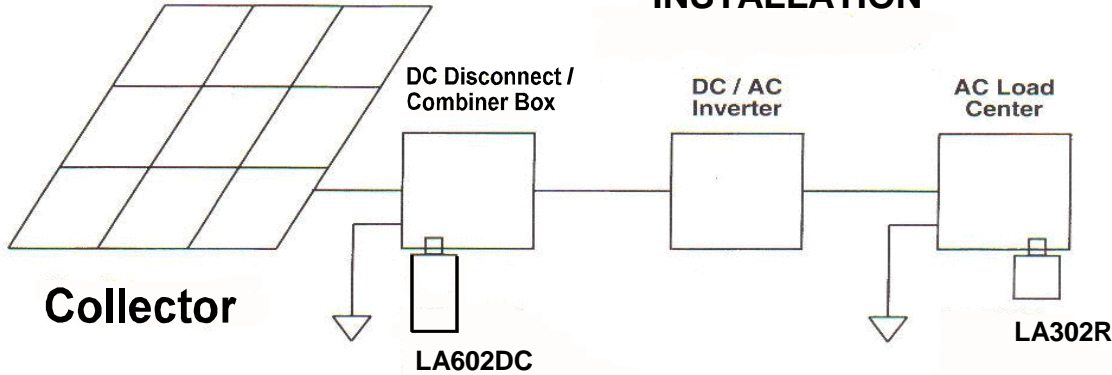
SILICON OXIDE ARRESTOR FOR  
PHOTOVOLTAIC, CATHODIC PROTECTORS,  
AND OTHER DIRECT CURRENT APPLICATIONS

Conforms to  
IEEE Std. C62.34  
Cert. To CAN/CSA Std.  
C22.2 No. 8



Intertek  
4000548

## INSTALLATION



## SPECIFICATIONS

Type of design	Silicon Oxide Varistor
Maximum current	100,000 amps
Maximum energy	3,000 joules per pole
Maximum number of surges	Unlimited
Response time one milliamp test	5 nanoseconds
Response time to clamp 10,000 amps	10 nanoseconds
Response time to clamp 50,000 amps	25 nanoseconds
Leak current at double the rated voltage	



Locknut & Washer  
furnished

1/2" Nipple

- n
  - o
  - n
- Weatherproof Enclosure N-4  
1/2" Locknut & 1/2" x 1 reducing washer  
1/2" Standard Pipe Thread Nipple  
DIMENSIONS: 4 1/2" High 2 1/4" Diameter

**LA602DC for 0-1100 Volts DC**  
**LA302DC for 0-500 Volts DC**

**LA602 for 0-600 Volts AC**  
**LA302R for 0-300 Volts AC**

Conduction Characteristics					8 x 20 microsecond wave shape	
Discharge Current	5000 Amps	10000 Amps	20000 Amps	40000 Amps	60000 Amps	
Clamping Voltage (Line to Neutral )	240 Volts	480 Volts	840 Volts	1300 Volts	2000 Volts	
<b>DELTA LIGHTNING ARRESTORS,™INC.</b>					P.O. BOX 750 BIG SPRING, TX 79721 432-267-1000 <a href="http://www.deltala.com">www.deltala.com</a> <a href="mailto:deltala@msn.com">deltala@msn.com</a>	

